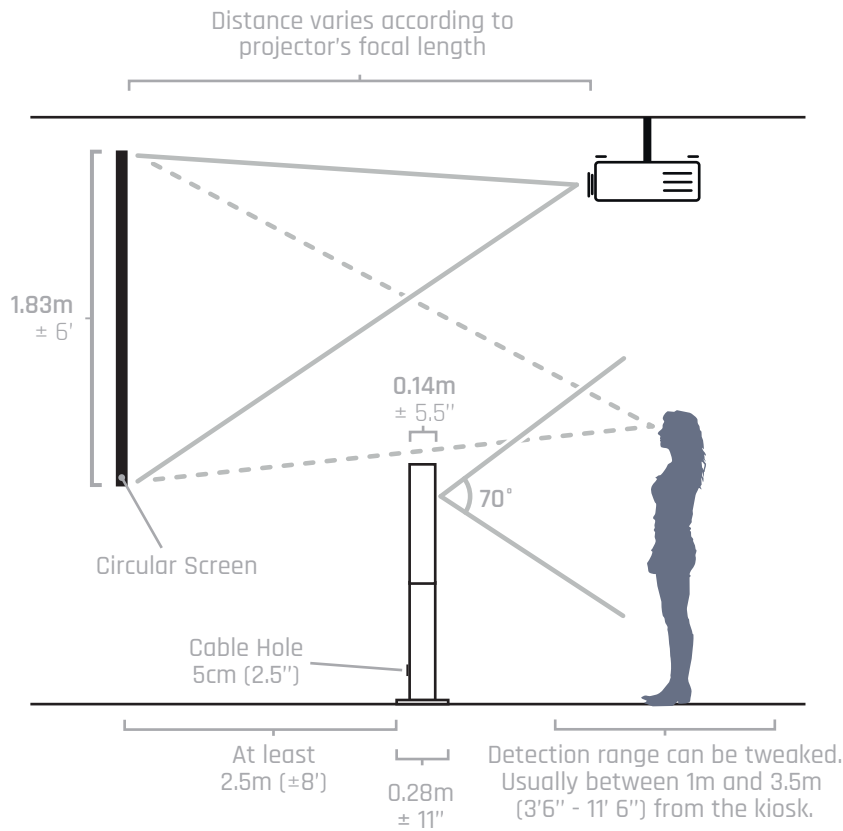
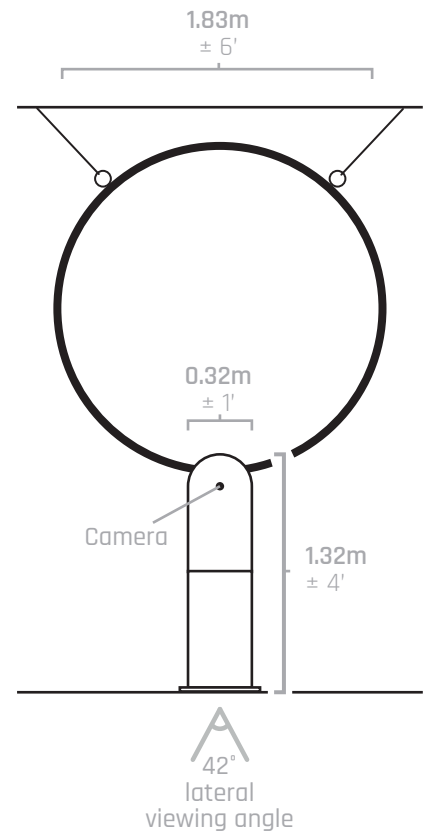


Side



Front



Details & Requirements

- **Shipping** Kiosk: 45 x 71 x 45cm container @ 23Kg.
Frame + base: 25 x 45 x 142cm @ 9Kg.
Screen: 183cm mailing tube (dia. 8cm) @ 3Kg.
- **Maintenance** The projector's lamp must be checked periodically and replaced if burnt out. The software is being automatically monitored remotely via internet.
- **Network** The installation requires a wired (ideally) or wireless internet connection.
- **Video** The installation requires a video projector (not included). An HDMI cable must be run between the kiosk and the projector. If that's not possible, a wireless HDMI video transmitter could also be used (not included).
- **Kiosk Anchoring** The kiosk should be secured to the floor. For this purpose, there are two screw holes inside the base (centered and 136mm / 5 3/8" apart).
- **Screen Anchoring** The screen is lightweight and can easily be suspended with heavy fishing line or metal cabling hooked to the built-in hooks.
- **Screen Position** The screen must not be too high because it will yield weird chin-focused images. It must not be too low because part of it would be hidden by the kiosk.
- **Electricity** Single 3-pin North American (type B) grounded plug. Regular 110V-240V, 15A circuit.