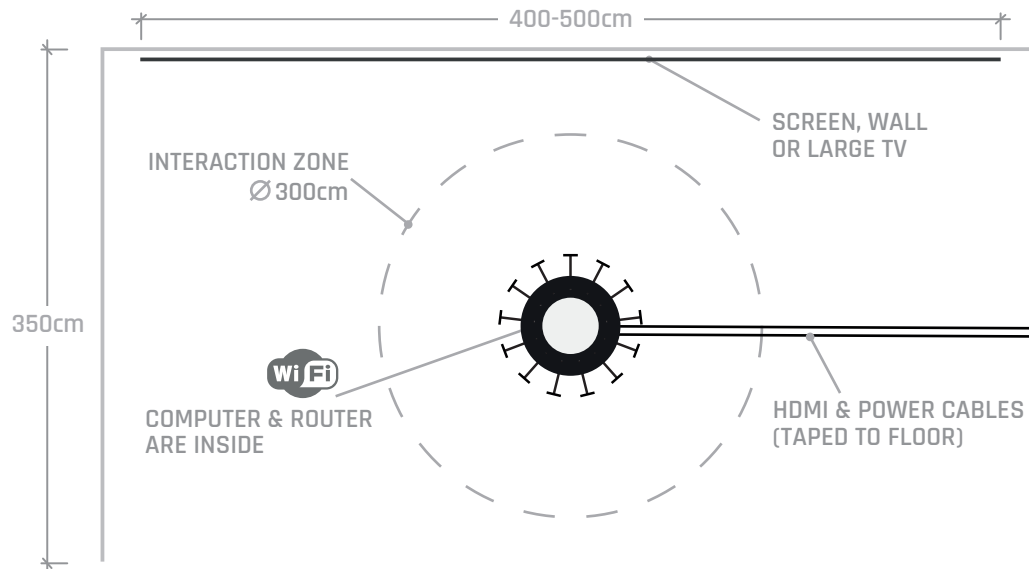
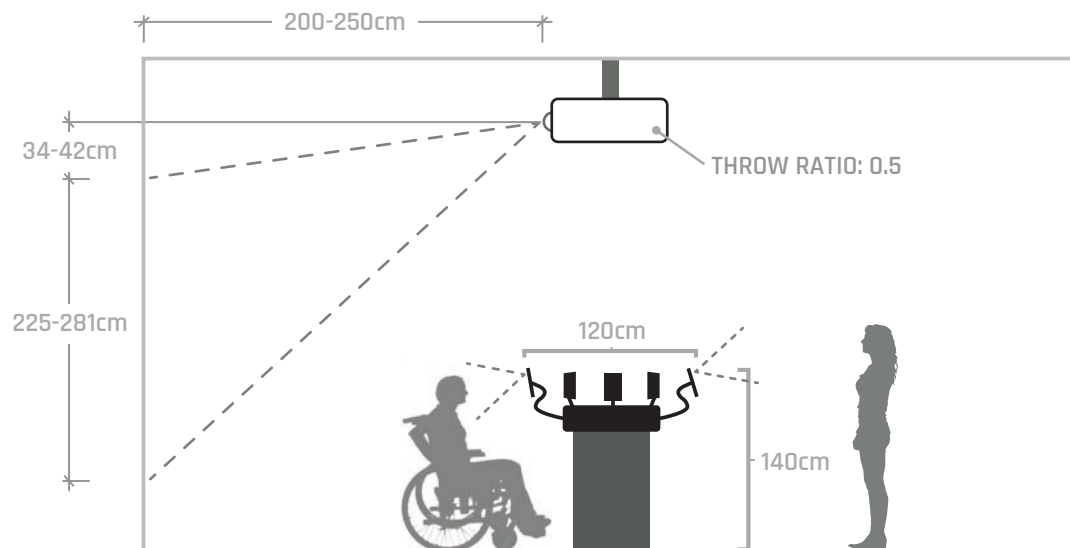


Top View



Side View



Details

- **Setup time** 6 hours (3 hour for teardown). **Technical help might be needed to rig projector to ceiling.**
- **Projection** Short throw projector is provided by artist. Must be anchored about 2.5m from projection screen.
- **Video output** HDMI @ 1080p / 30 FPS. 15m HDMI cable provided by artist.
- **Sound output** No sound.
- **Lighting** Best in dimmed lighting.
- **Electricity** 10A @ 120VAC or 5A @ 240VAC (input voltage can be between 100 and 250 VAC). Electrical consumption includes everything EXCEPT the power requirements of the projector.
- **WiFi** The installation uses its own local WiFi network to enable communication between the iPhones and the main computer. Optionnally, this also allows users to upload selfies from their own devices.
- **Operation** iPhones and projector must be manually turned on in the morning and off at night.

Shipping Information

1203 des Eperviers
Longueuil, Quebec, J4G 1Z9
CANADA



Gear fits inside 2 wheeled hardcover cases (Pelican 1637 Air). Cases comply with IATA (International Air Transport Association) guidelines for baggage size and weight



Packing List

- 15x iPhones
- 15x Flexible Supports
- 15x Knit Tube Dressings
- 15x Charging Cables
- 2x Charging Stations
- 1x Computer
- 1x Keyboard
- 1x Portable Monitor
- 1x TouchDesigner Dogle
- 1x Router
- 1x Aluminium Rack
- 2x Aluminum Disks
- 1x Custom Wooden Ring
- Decorative Cables
- 2x Powerbars
- Extension Cord
- 2x Power Supplies
- 1x LED Controller
- 1x Plastic Globe
- 15x LED Lighting Strips
- 5x Cloth Covers
- Gaffer's Tape
- Hand Tools

Accessibility



The phones oriented towards the screen are pointed downwards so children and wheelchair-bound individuals can participate.